

Urgent Field Safety Notice

10817521, Rev. A

February 2014

ADVIA Centaur® XP

Instrument Cover Gas Spring Issues

Our records indicate that your facility operates an ADVIA Centaur® XP Immunoassay system (SMN 10338631).

Reason for Correction

Siemens Healthcare Diagnostics is conducting a field corrective action for the ADVIA Centaur XP Immunoassay system. When the instrument cover is raised, the cover is supported by a gas spring (SMN 10321635) attached at the middle of the cover. Over time, the gas spring may lose its effectiveness and fail to support the cover in its full or partially open position. This may lead to the cover falling during maintenance procedures.

Risk to Health

The operator may be impacted if the cover falls. Patient results are not affected.

Actions to be Taken by the Customer

Upon receipt of this communication and during normal operation, please perform the following actions when opening or closing the top cover:

- Before opening the cover, remove any objects placed on the cover.
- If the cover is unable to stay partially raised, immediately contact your Siemens technical support representative to arrange for the gas spring attached to the cover to be serviced.



WARNING: When lowering the cover, hold the cover until it is completely closed to avoid injury.

Refer to Figures 1-2 in the “Additional Information” section for instrument cover positions.

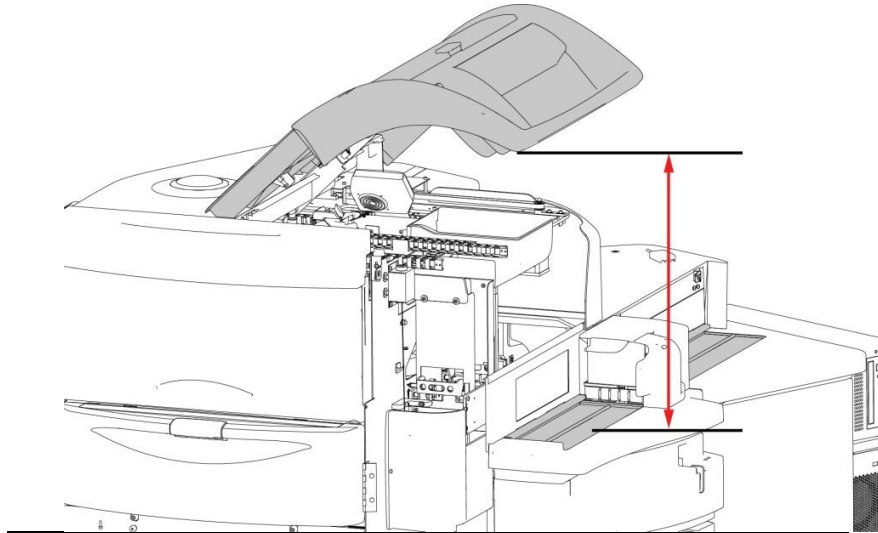
Siemens technical support representatives will be routinely inspecting the gas spring on regular preventive maintenance cycles or service visits.

Please retain this letter with your laboratory records, and forward this letter to those who may have received this product.

We apologize for the inconvenience this situation has caused. If you have any questions, please contact your Siemens Customer Care Center or your local Siemens technical support representative.

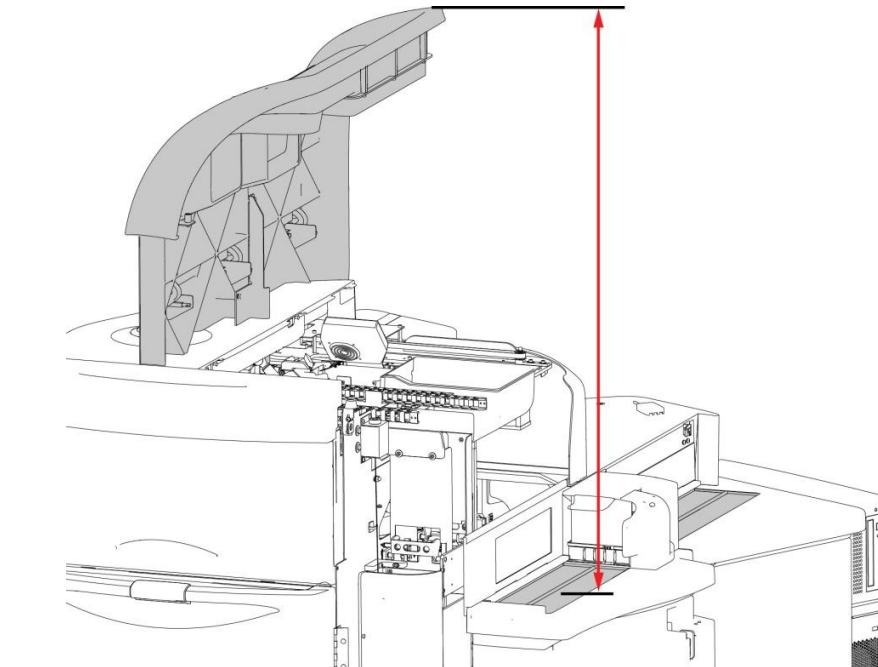
Additional Information

Figure 1. Partially Raised Instrument Cover



Partially raised ADVIA Centaur XP instrument cover

Figure 2. Fully Raised Instrument Cover



Fully raised ADVIA Centaur XP instrument cover

Siemens Healthcare Diagnostics
511 Benedict Ave.
Tarrytown, NY 10591
www.siemens.com/diagnostics

ADVIA Centaur is a trademark of Siemens Healthcare Diagnostics.